

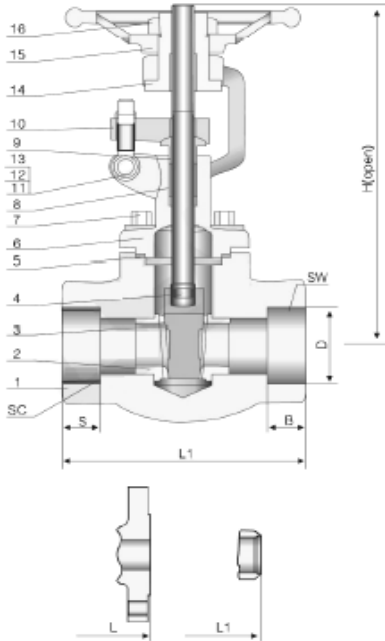
COMPACT STEEL GATE VALVE 800LB

3/8" – 2"



FEATURES:

- Outside screw and yoke (OS&Y), bolted bonnet
- Choice of WB, Welded Bonnet
- Single wedge, fully guided
- Renewable seat rings
- Yoke integral with bonnet
- Rising stem and non-rising handwheel
- Socket Welding Ends, ASME B16.11
- Screwed Ends, ASME B1.20.1
- Buttwelding Ends, ASME B16.25
- Steel Gate Valves API 602 / ASME B16.34
- Face to Face, ASME B16.10
- Inspection and Test, API 598



ITEM	PARTS	C-Si	ASTM Material 16Cr-12Ni-2Mo	1¼Cr-½Mo-Si
1	BODY	A105	A182-F316	A182-F11
2	BONNET	A105	A182-F316	A182-F11
3	WEDGE	A182-F6a	A182-F316	A182-F6a+HF
4	STEM	A276-410	A276-316	A276-410
5	SEAT RING	A276-410	A182-F316	A276-410+HF
6	BONNET GASKET	GRAPHITE+304	GRAPHITE+316	GRAPHITE+304
7	BONNET STUD	A193-B7	A193-B8M	A193-B16
8	PACKING	GRAPHITE		
9	GLAND	A276-410	A276-316	A276-410
10	GLAND FLANGE	A105	A182-F316	A182-F11
11	EYEBOLT PIN	A276-410	A276-316	A276-410
12	EYEBOLT	A193-B7	A193-B8M	A193-B16
13	EYEBOLT NUT	A194-2H	A194-8M	A194-2H
14	YOKESLEEVE	A276-410		
15	HANDWHEEL	MALLEABLE IRON		
16	HANDWHEEL NUT	CARBON STEEL		

Note : 1.) Spiral wound construction

DIMENSIONS											UNIT : mm	
Nominal Size	L1	L (Flanged Ends)			d	SW		SC (Threaded)		H(open)	D0	KGS
		150Lb	300Lb	600Lb		D	B	NPT	S			
3/8"	79	102	140	165	10	17.6	9.6	3/8"	13.6	151	100	4.5
1/2"	79	108	140	165	10	21.8	9.6	1/2"	13.6	151	100	5.1
3/4"	92	117	152	190	13.5	27.1	12.7	3/4"	13.9	158	100	8.2
1"	111	127	165	216	18	33.8	12.7	1"	17.3	185	125	10.5
1-1/4"	120	140	178	229	24	42.6	12.7	1-1/4"	18	239	160	12.4
1-1/2"	120	165	190	241	30	48.7	12.7	1-1/2"	18.4	243	160	20.1
2"	140	178	216	292	36.5	61.1	15.9	2"	19.2	279	180	28

Note : 1.) BW, SW or SC (Threaded)
2.) 600Lb-RF / 800Lb-(W/SW/SC)(Threaded)