

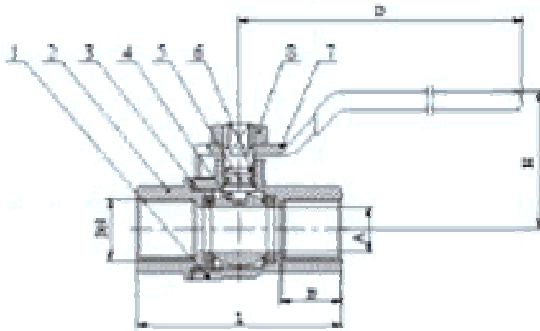
BRASS BALL VALVE 600WOG

1/4" – 4"



FEATURES:

- Brass Gas Ball Valve
- Steel Handle JS588
- Quarter Turn Handle
- All valves hydro tested to MOP5-20 with no leakage



ITEM	PARTS	MATERIALS
1	BODY	BRASS
2	BONNET	BRASS
3	SEAT	PTFE
4	BALL	BRASS
5	STEM	BRASS
6	O-RING	NBR
7	HANDLE	IRON
8	NUT	BRASS

DIMENSIONS						UNIT : mm
Nominal Size	A	B	L	H	D	KGS
1/4"	10	12	45.5	36	88	0.14
3/8"	12	16.5	56	37	88	0.18
1/2"	15	16	57.7	40	88	0.20
3/4"	20	17	67	44	88	0.30
1"	25	20.7	80.8	58	111	0.50
1-1/2"	40	24	103	72.6	130	0.98
2"	50	28	126.5	83.5	158	1.74
2-1/2"	64	32	152.5	116	222	3.70
3"	75	35	170	123	222	5.15
4"	97	41	205	140	222	8.00