

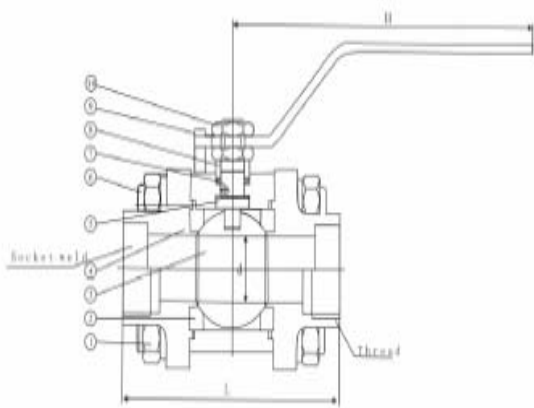
3-PC BALL VALVE 800LB – 1500LB

3/8" – 2"



FEATURES:

- Extended lever for easy operation
- Grease jet joint
- Body and bonnet
- Full bore or reduced bore
- End connections
- Self lubrication bearing
- Anti-static
- Fire safe, design to API 607 or BS 6755



ITEM	PARTS	CS to ASTM		SS to ASTM	
		A105/F6	A105/F6	F3104(L)	F316(L)
1	NUT	A194 2H	A194 2H	A194 8M	A194 8M
2	SEAT	PTFE/PPL			
3	BALL	A182 F6a	A182 F304	A182 F304(L)	A182 F316(L)
4	BODY	A105N	A105N	A182 F304(L)	A182 F316(L)
5	STEM	A182 F410	A182 F304	A182 F304(L)	A182 F316(L)
6	BOLT	A193 B7	A193 B7	A193 B8	A193 B8M
7	PACKING	PTFE/PPL			
8	GLAND	A276 410	A276 304	A182 F304(L)	A182 F316(L)
9	PIN	A193 B7	A193 B7	A193 B8	A193 B8M
10	NUT	A194 2H	A194 2H	A194 8	Aa194 8M

DIMENSIONS				UNIT : mm	
Nominal Size	L1	B	d		KGS
			CLASS 800LB	CLASS 1500LB	
3/8"	92	130	10	10	1.7
1/2"	92	130	15	13	1.6
3/4"	111	155	19	17	3.7
1"	127	185	24	23	5.8
1-1/4"	140	200	30	28	6.8
1-1/2"	152	220	39	37	11.5
2"	152	220	49	45	13.7