

SCREWED END 2-PC MOUNTING PAD FULL PORT BALL VALVE V – 2IM TYPE 1/4" ~ 3"



STAINLESS STEEL AISI-316

(DIN 1.4408) (ASTM-A315-CF8M)

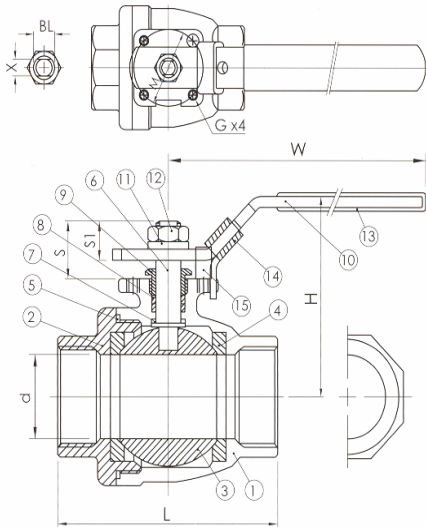
ANSI-304 (DIN 1.4301) (ASTM-A351-CF8)

CARBON STEEL S-45C (DIN 1.0619) (ASTM-A216-WCB)

FEATURES:

- Pipe thread in accordance with ANSI B2.1, BS 21 1973, DIN 259/2999, ISO 228
- 800 PSI (55 Bar) W.O.G. / 1000 PSI (69 Bar) W.O.G.
- Blow-out proof stem / Full port
- Investment casting body and cap
- Material : ASTM-A351 – CF8M, ASTM-A351-CF8 & ASTM-A216-WCB
- Mounting flanges for ISO Standard 5211
- Lug body

OPTION: Locking Device



ITEM	PARTS	QTY	MATERIALS	
			V2IM	V2IM-C
1	BODY	1	ASTM - A351 - CF8M	ASTM - A216 - WCB
2	CAP	1	ASTM - A351 - CF8M	ASTM - A216 - WCB
3	BALL	1	ASTM - A351 - CF8M	ASTM - A351 - CF8M
4	BALL SEAT	2	15% R-PTFE	15% R-PTFE
5	JOINT GASKET	1	PTFE	PTFE
6	STEM	1	AISI 316	AISI 316
7	THRUST WASHER	1	PTFE	PTFE
8	STEM PACKING	2	PTFE	PTFE
9	GLAND NUT	1	AISI 304	AISI 304
10	HANDLE	1	AISI 304	AISI 304
11	SPRING WASHER	1	AISI 304	AISI 304
12	STEM NUT	1	AISI 304	AISI 304
13	PLASTIC COVER	1	PLASTIC	PLASTIC
14	LOCK DEVICE	1	AISI 304	AISI 304
15	STOP PIN	1	AISI 304	AISI 304

DIMENSIONS											UNIT : mm		
Nominal Size	d	L	H	W	S	S1	X	BL	ISO 5211		Cv FACTOR	TORQUE kgf-cm	KGS
									M	G			
1/4"	11.6	50	51	95	16.5	10.2	5	5/16"	36	M5	6.6	40	0.26
3/8"	12.7	50	51	95	16.5	10.2	5	5/16"	36	M5	7.9	40	0.26
1/2"	15	60	53	115	16.5	10.2	5	5/16"	36	M5	11.2	54	0.39
3/4"	20	70	60	135	20	13.5	6.5	3/8"	36	M5	21	78	0.57
1"	25.4	82	74	135	23.5	16	8	7/16"	42	M5	35	106	1.00
1-1/4"	32	95	80	135	23.5	16	8	7/16"	42	M5	57	150	1.44
1-1/2"	38	108	92	165	25.5	17	9	1/2"	50	M6	80	200	2.2
2"	50.8	134	101	165	25.5	17	9	1/2"	50	M6	150	280	3.65
2-1/2"	65	158	130	215	41	29.5	12	3/4"	70	M8	265	480	5.95
3"	80	185	142	215	41	29.5	12	3/4"	70	M8	415	750	9.72