

FLANGED END 2-PIECE FULL PORT BALL VALVE V-2F TYPE (PN16, PN40) 1/2" ~ 10"

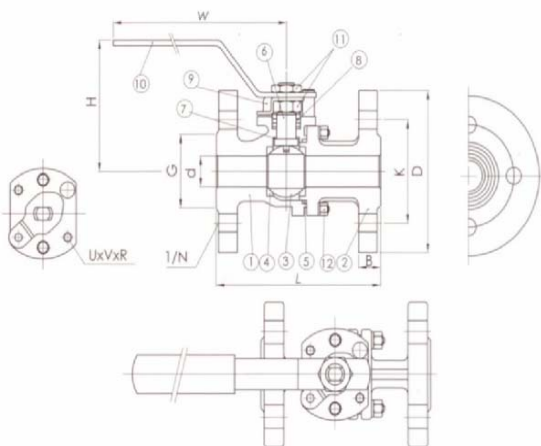


OPTION : Fixed Handle

DIN PN16, DIN PN40 STAINLESS STEEL ASTM A351-CF8M FLANGED END FULL PORT BALL VALVE

FEATURES:

- 2-piece Flanged Ball Valves
- Body & Cap in ASTM A351-CF8M
- Trim in AISI 316
- Seats in PTFE
- Flange : DIN 2633 PN16 / DIN 2635 PN40
- Face to Face : DIN 3202 F1/F4/F5
- Anti-static device, fire safe design
- Blow-out proof stem, lever operated
- Full port, solid ball
- Mounting Pad ISO 5211



NO.	PART	QTY	MATERIALS	
1	BODY	1	ASTM A351-CF8M	ASTM-A216-WCB
2	CAP	1	ASTM A351-CF8M	ASTM-A216-WCB
3	BALL	1	ASTM A351-CF8M	ASYM-A351-CF8
4	BALL SEAT	2	PTFE	PTFE
5	JOINT	1	PTFE	PTFE
6	STEM	1	AISI 316	AISI 316
7	THRUST WASHER	1	PTFE	PTFE
8	STEM	1	PTFE	PTFE
9	STOPPER	1	AISI 304	AISI 304
10	HANDLE	1	AISI 304	AISI 304
11	HANDLE NUT	2	AISI 304	AISI 304
12	BOLT & NUT	4	AISI 304	AISI 304

DIMENSIONS																	UNIT : mm		
Nominal Size		d	ISO 5211	L (DIN3202)			DIN PN16					DIN PN40					H	W	TORQUE kgf-cm
Inch	mm		U x V x R	F1	F4	F5	K		B	I/N	K		B	I/N					
1/2"	15	15	4-42xM5xP0.8	130	115		95	65	45	14	14/4	95	65	45	16	14/4	74	170	54
3/4"	20	20	4-42xM5xP0.8	150	120		105	75	58	16	14/4	105	75	58	18	14/4	77	170	78
1"	25	25	4-42xM5xP0.8	160	125		115	85	68	16	14/4	115	85	68	18	14/4	83	170	106
1-1/4"	32	31.8	4-50xM6xP1.0	180	130		140	100	78	16	18/4	140	100	78	18	18/4	88	170	150
1-1/2"	40	38	4-70xM8xP1.25	200	140		150	110	88	16	18/4	150	110	88	18	18/4	123	250	200
2"	50	50.8	4-70xM8xP1.25	230	150		165	125	102	18	18/4	165	125	102	20	18/4	132	250	290
2-1/2"	65	65	4-102xM10xP1.5	290	170		185	145	122	18	18/4	185	145	122	22	18/8	157	320	500
3"	80	80	4-102xM10xP1.5	310	180		200	160	138	20	18/8	200	160	138	24	18/8	166	365	770
4"	100	100	4-102xM10xP1.5	350	190		220	180	158	20	18/8	325	190	162	24	22/8	182	365	1100
5"	125	125	4-125xM12xP1.75	400	-	325	250	210	188	22	18/8	270	220	188	26	26/8	225	500	1500
6"	150	150	4-125xM12xP1.75	480	-	350	285	240	212	22	22/8	300	250	218	28	26/8	240	600	1800
8"	200	200	4-125xM12xP1.75	600	-	400	340	295	268	24	22/8	375	320	285	34	30/12	310	700	2400
10"	250	250	4-140xM16xP2.0	730	-	450	405	355	320	26	22/12	450	385	345	38	30/12	325	800	3300