

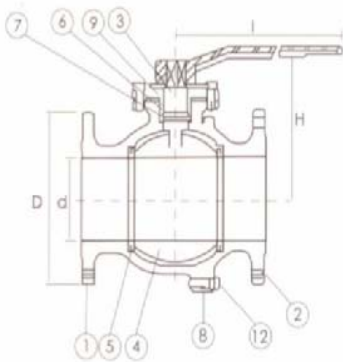
FLANGED END 2-PIECE FULL PORT BALL VALVE V-2F TYPE (150LBS) 1/2" ~ 12"



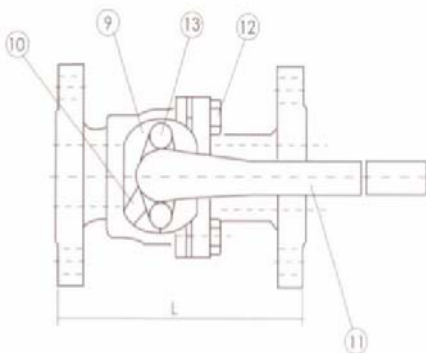
ANSI CLASS 150 STAINLESS STEEL & CARBON STEEL

FEATURES:

- 2-piece Flanged Ball Valves
- Body & Cap in ASTM-A351-CF8M, ASTM-A351-CF8, ASTM-A216-WCB
- Trim in AISI 316
- Flange : ANSI B16.5 Class 150
- Face to Face : ANSI B16.10
- Anti-static device, fire safe design
- Blow-out proof stem, lever operated
- Full port , solid ball



NO.	DESCRIPTION	MATERIALS		
		1	2	3
1	BODY	ASTM-A351-CF8	ASTM-A351-CF8M	ASTM-A216-WCB
2	BODY CAP	ASTM-A351-CF8	ASTM-A351-CF8M	ASTM-A216-WCB
3	STEM	ASTM-A351-CF8	ASTM-A351-CF8M	ASTM-A351-CF8
4	BALL	ASTM-A351-CF8	ASTM-A351-CF8M	ASTM-A351-CF8
5	BALL SEAT	TEFLON	TEFLON	TEFLON
6	CLAND PACKING	ASTM-A351-CF8	ASTM-A351-CF8M	ASTM-A216-WCB
7	STEM SEAL	TEFLON	TEFLON	TEFLON
8	JOINT GASKET	TEFLON	TEFLON	TEFLON
9	GLAND FLANGE	ASTM-A351-CF8	ASTM-A351-CF8	FC
10	TRAVEL STOPPER	ASTM-A351-CF8	ASTM-A351-CF8	SS 41
11	HANDLE	FC-20	FC-20	FC-20
12	GLAND BOLT	ASTM-A351-CF8	ASTM-A351-CF8	SS 41
13	BODY & CAP NUT	ASTM-A351-CF8	ASTM-A351-CF8	SS 41
14	BOHY & CAP BOLT	ASTM-A351-CF8	ASTM-A351-CF8	SS 41



DIMENSIONS		UNIT : mm						
Nominal Size		d	L	D	H	I	H1	KGS
Inch	mm							
1/2"	15	15	108	89	81	114	34	2.5
3/4"	20	20	117	99	86	114	34	3
1"	25	25	127	108	85	146	34	4.5
1-1/4"	32	32	140	117	70	146	34	5.7
1-1/2"	40	40	165	127	110	229	44	7
2"	50	50	178	152	118	229	47	10
2-1/2"	65	64	190	178	142	340	55	14
3"	80	78	203	190	155	340	55	18
4"	100	98	230	229	170	340	55	26
5"	125	123	356	254	218	380	70	38
6"	150	148	394	279	236	510	70	57
8"	200	200	457	343	265	720	70	93
10"	250	250	533	406	340	1000	85	147
12"	300	298	620	483	382	1000	90	200