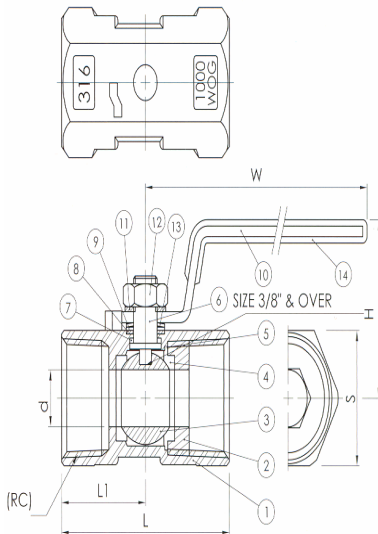


SCREWED END 1-PC REDUCED PORT BALL VALVE V – 1 TYPE 1/4" ~ 2"



OPTION : Locking device
Oval Handle
Wing Handle



INVESTMENT CASTING STAINLESS STEEL BALL VALVE SCREWED END

FEATURES:

- Pipe thread in accordance with ANSI B2.1, BS 21 1973, DIN 259/2999, ISO 228
- Blow-out proof stem / Reduce bore
- Investment casting body and inscrewed
- 800 PSI (55 Bar) W.O.G. / 1000 PSI (69 Bar) W.O.G.
- Material : ASTM-A351 – CF8M, ASTM-A351-CF8

NO.	PARTS	QTY	MATERIALS	SPECIFICATION
				JIS SPEC.
1	BODY	1	ASTM - A351 - CF8M	SUS316 OR SCS14A
2	INSERT	1	ASTM - A351 - CF8M	SUS316 OR SCS14A
3	BALL	1	ASTM - A351 - CF8M	SUS316
4	BALL SEAT	2	15% R-PTFE	15% R-PTFE
5	JOINT GASKET	1	15% R-PTFE	15% R-PTFE
6	STEM	1	AISI 316	SUS316
7	THRUST WASHER	1	15% R-PTFE	15% R-PTFE
8	STEM PACKING	2	15% R-PTFE	15% R-PTFE
9	STEM WASHER	1	AISI 304	SUS304
10	HANDLE	1	AISI 304	SUS304
11	SPRING WASHER	1	AISI 304	SUS304
12	STEM NUT	1	AISI 304	SUS304
13	BELLEVILLE WASHER	1	AISI 304	SUS304
14	PLASTIC COVER	1	PLASTIC	PLASTIC

DIMENSIONS								UNIT : mm	
Nominal Size (RC)	d	L	L1	H	W	S	Cv FACTOR	TORQUE kgf-cm	KGS
1/4"	5	39	19	35	66	17	3.8	12	0.07
3/8"	7	44	21	36	74	21	4	12	0.102
1/2"	9.2	56.5	27.5	41	89	25	4.5	13	0.166
3/4"	12.5	59	30	44	89	32	9	20	0.247
1"	16	71	36	51	105	38	16	38	0.412
1-1/4"	20	78	39	56	105	48	24	50	0.672
1-1/2"	24.5	83	41.7	64	130	53	37	72	0.838
2"	32	100	50	71	130	65	68	90	1.384

SCREWED END 1-PC REDUCED PORT BALL VALVE V – 1M TYPE 1/4" ~ 2"

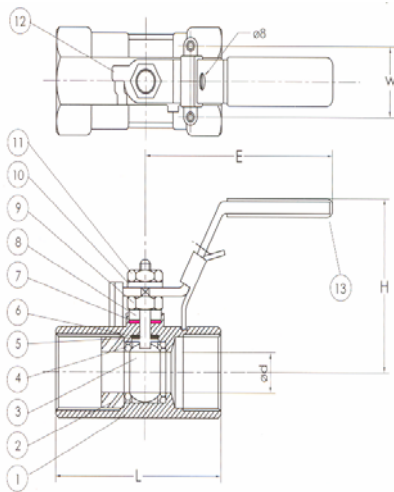


INVESTMENT CASTING STAINLESS STEEL BALL VALVE SCREWED END

FEATURES:

- Pipe thread in accordance with ANSI B2.1, BS 21 1973, DIN 259/2999, ISO 228
- Blow-out proof stem / Reduce bore
- Investment casting body and inscrewed
- 2000 PSI W.O.G.
- Mounting Pad
- Material : ASTM-A351 – CF8M, ASTM-A351-CF8

OPTION : Locking device
Drilling and Tapped Mounting Pad



NO.	PARTS	MATERIALS
1	BODY	ASTM - A351 - CF8M
2	INSERT	ASTM - A351 - CF8M
3	BALL	ASTM - A351 - CF8M
4	SEAT	15% R-PTFE
5	THRUST WASHER	15% R-PTFE
6	STEM	AISI 316
7	STEM SEAL	PTFE
8	GLAND WASHER	AISI 304
9	CONICAL SPRING WASHER	AISI 304
10	SPRING WASHER	AISI 304
11	NUT	AISI 304
12	LEVER HANDLE	AISI 304
13	HANDLE SLEEVE	PLASTIC

DIMENSIONS						UNIT : mm	
Nominal Size	d	L	H	E	W	KGS	
1/4" ~ 3/8"	9.2	58.5	46	102	28.3	0.32	
1/2"	9.2	66	54	97	28	0.275	
3/4"	12.5	70	56	98	28	0.36	
1"	15.5	80	63	104	35.4	0.63	
1-1/4"	20	95	67	101	35.4	0.894	
1-1/2"	25	101	69	156	35.4	1.254	
2"	32	114	77	155	35.4	1.852	